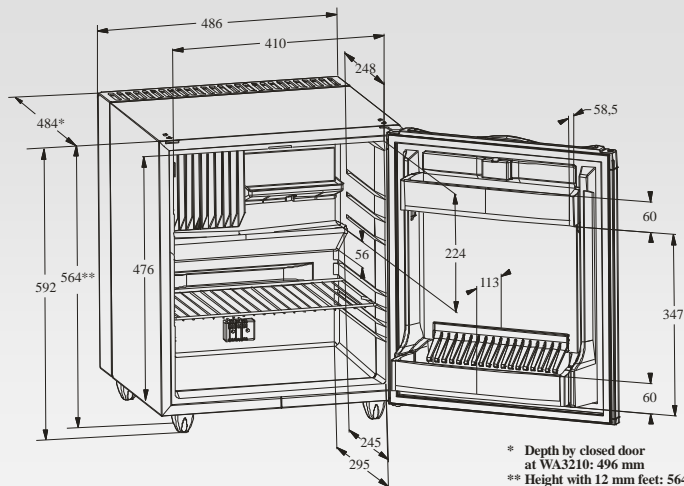


Modell: RH161 D



Technical data

Gross / net volume	58 litres
Built-in version	yes
Free-standing version	yes
Freezer	no
Net weight	18 kg
Packed weight	19 kg
Packed volume	0,161 m ³
Outer dimension (HxWxD)	592 x 486 x 496 mm
Packed dimension (HxWxD)	620 x 535 x 530 mm
Door panel dimension (HxWxD)	456 x 530 x 0,5 mm
Outside jacket material	Plastic coated steel
Outside door frame material	Plastic coated steel
Inside cabinet material	Vacuum formed polystyrol
Inside shelves	2 pcs
Door rack for cans	1 pc
Door rack for maxi bottles	1 pc
Ice tray	yes

Feet	12 mm
Door closing	magnetic sealing
Available color	black
Lighting	option
Power input	115 W
Energy consumption (according to EN ISO 7371, i.e.: 25 °C / 5 °C)	1,4 kWh/24h
Electricity	100 - 240 V - according to the country specific requirement (50-60 Hz)
Defrosting	automatic with Fuzzy Logic
Thermostat	electronic (Fuzzy Logic)
Climate class	N
Min / max ambient temperature	16/32°C
Cooling unit control	Integrated in Fuzzy Logic

Options

Door opening direction	reversible (standard: right)
------------------------	------------------------------

Lock with key, int. light, double feet (40, 12 mm), wall hanging bracket, building in kit, door rack with bottle fingers